

AFRICA PROVEN ADVENTURE GEAR FOR LAND ROVERS AND MORE.





BORN AND RAISED IN AFRICA, PROVEN AND TRUSTED AROUND THE WORLD.

Recipe for Front Runner:

- ① Take a handful of friends who are engineers, designers, outdoor enthusiasts and professional off-road drivers;
- ② Add a shared history of adventures into the wilds of Africa spanning 40 years;
- ③ Toss them into a factory in South Africa with the very latest technology and materials, together with CAD (Computer Aided Design), in-house laser cutting, CNC milling, bending, punching and powder coating;
- ④ Let them simmer, dream, design, build, test, sell, travel, and evolve for 14 years, as they grow to become the world's premiere vehicle outfitting company with offices in South Africa, Australia, Europe and the United States.

Makes: Roof Racks, Roof Rack Accessories, Camping Gear, Storage Systems, Fuel Tanks, Water Solutions, Bumpers, and More.

Best served at sunset. In nature. Where the air is fresh and the views are breathtaking.





INDEX

Page 2.....About us

Page 4-5.....Slimline II

Page 6.....Land Rover Defender Rack and Load Bar Systems

Page 7.....Land Rover Discovery Rack and Load Bar Systems

Page 8.....Freelander 2 Rack System

Page 8.....Land Rover Discovery & Defender Storage and Carriers

Page 9.....Defender Gull Wing Storage

Page 10-11.....Rack Accessories

Page 12.....Storage Accessories

Page 13.....Tents & Awnings

The Slimline II comes in 55 sizes with 5 different vehicle mounting options.

TRACK MOUNTED FEET:

- Available in 5 heights ranging from 40mm to 75mm, the adjustable feet bridge the gap between vehicle mounted track and the Slimline II tray.
- Track is available in a wide range of vehicle specific lengths and contours.



GUTTER MOUNTED LEGS:

- The name says it all. Fits any vehicle with rain gutters.
- Available in 11 heights ranging from 120mm to 290mm.



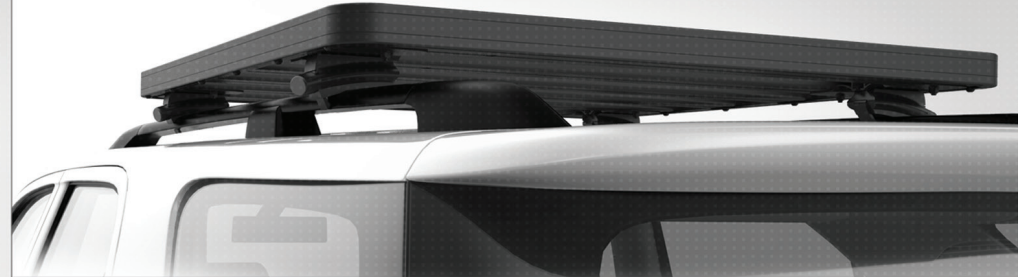
PICK-UP BED LEGS

- An off-road rated solution for mounting a Front Runner Slimline II Rack or Front Runner Load Bars in pick-up truck beds.
- These universal legs fit Front Runner bed mounted track or factory bed mounted track.



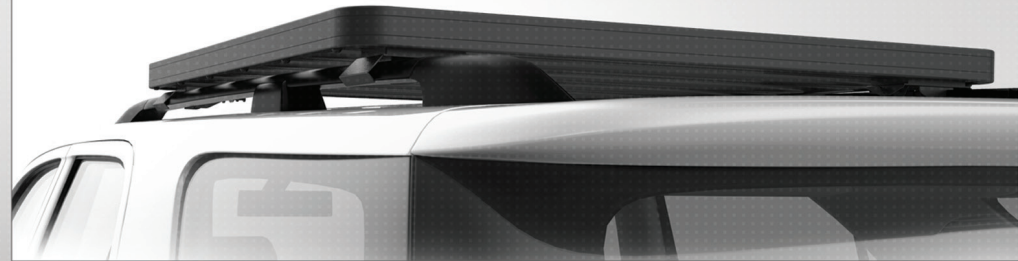
UNIVERSAL STRAP-ON FEET:

- Allows mounting to any vehicle with factory roof rails.



EXTREME GRAB-ON:

- An off-road rated universal foot that mounts to most factory roof rails.



VEHICLE MOUNTED FEET:

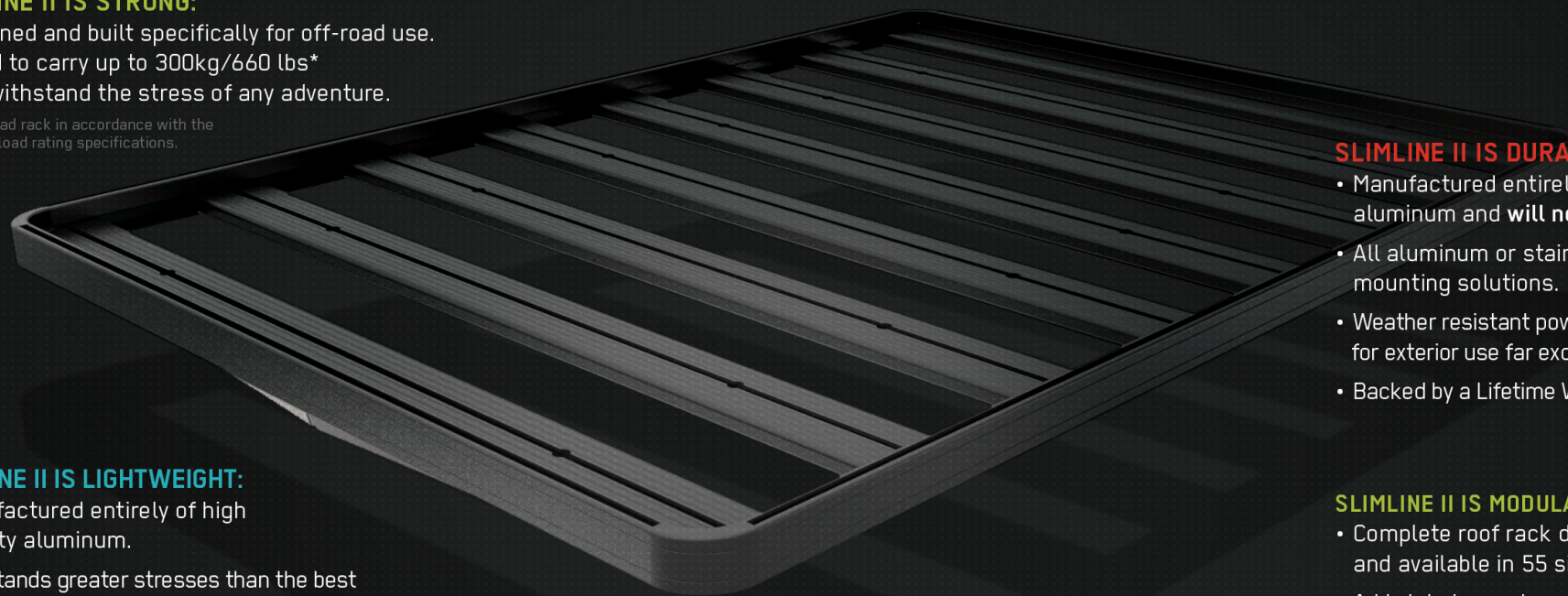
- Vehicle specific custom feet mount directly to specific Toyotas, Jeeps and Land Rovers.



SLIMLINE II IS STRONG:

- Designed and built specifically for off-road use.
- Rated to carry up to 300kg/660 lbs*
- Will withstand the stress of any adventure.

*Always load rack in accordance with the vehicle's load rating specifications.



SLIMLINE II IS LIGHTWEIGHT:

- Manufactured entirely of high density aluminum.
- Withstands greater stresses than the best all-steel roof rack at 1/3rd less the weight.
- Patented design offers the best strength to weight ratio of any roof rack.

SLIMLINE II IS LOW PROFILE:

- T-slot mounting system makes “basket style” side rails obsolete.
- Unobtrusive flat deck compliments the lines of today’s automobiles.
- Decreased wind resistance and noise means increased vehicle performance.

SLIMLINE II IS DURABLE:

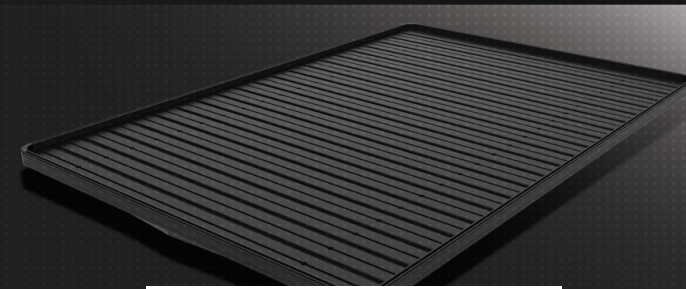
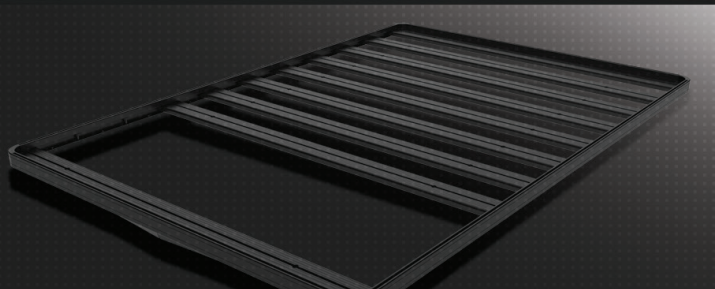
- Manufactured entirely with corrosion free aluminum and **will not rust**.
- All aluminum or stainless steel vehicle mounting solutions.
- Weather resistant powder coating formulated for exterior use far exceeds industry standards.
- Backed by a Lifetime Warranty.

SLIMLINE II IS MODULAR:

- Complete roof rack design flexibility and available in 55 sizes.
- Add slats to create a solid platform for sleeping and/or sitting.
- Remove slats to create unobstructed t-top or sun roof access.
- Easily convert rack lengths by purchasing new side rails.
- Create the classic roof rack basket shape with optional Expedition Rails.

SLIMLINE II IS VERSATILE:

- Unique bolt on system offers easy on and off mounting for any type of adventure gear.
- Independently secure loads anywhere on the top, sides, or bottom of the rack.
- Limitless possibilities to customize the arrangement of over 30 Front Runner roof rack accessories.






Land Rover Defender Rack and Load Bar Systems

For 60 Years Land Rover has been on an amazing adventure, and the Front Runner product range for the Land Rover Defender offers a synergy with the unique engineering of the Front Runner products available now from Bearmach.

All Roof Rack and Rail systems come with fitting kits and instructions, and as a modular system make for easy storage and workshop fitting, plus great for sending out for home fitting.

Part Number	Description	Dimensions
		
KRLD003L	Defender 110 Slimline II Full Length Rack	1425x2772mm
		
KRLD005L	Defender 110/130 Double Cab Slimline II Rack	1425x1560mm

		
KRLD007L	Defender 90 Slimline II Rack	1425x1946mm
		
KRLD008L	Defender (all models) roof load bar kit.	1400mm
		
LALD001	Defender 2pc Rear Mounted Ladder	730x260x150mm





Land Rover Discovery Rack and Load Bar Systems

For the last 25 years the Land Rover Discovery has been making new ground and breaking through the off-road luxury market.

The Front Runner Discovery range is no different, and offers products for Discovery 2, 3 and 4.

Part Number	Description	Dimensions
		
KRLD012L	Discovery 2 Slimline II Full length rack	1425x1964mm
		
KRLD019L	Discovery 2 roof Load Bar kit	1400mm

		
KRLD022T	Discovery 3/4 Slimline II Full Length Rack with Rail mounting system	2166x1255mm
		
KRLD023T	Discovery 3/4 Slimline II shorter rack (avoids panoramic roof) with Rail mounting system	1560x1255mm
		
KRLD014	Discovery 3/4 Roof Load Bar Kit	1200mm

		
LALD003	Discovery 3/4 Ladder System	830x450x170mm
		
LALD002	Discovery 2 Ladder System	1110x320x130mm



Freelander 2 Slimline II Roof Rack


The Freelander 2 is a very capable touring and leisure vehicle, and the Front Runner Rail based rack system allows you to experience adventure, carrying and loading to the same capacity as other Land Rover models. Whether you use your Freelander for camping, fishing, skiing or snowboarding, the unique Slimline II system allows you to mount multiple accessories to your rack!







Land Rover Defender & Discovery Storage and Carriers

Front Runner have the only truly bespoke range of storage and carrier systems for the Newer Land Rover Discovery market and were the first to create a solid and fit for purpose Spare Wheel carrier for the Discovery 3 & 4 which uses the existing bumper.

For innovative products for the discerning customer, you need look no further than Front Runner.

Part Number	Description	Dimensions
		
KRLF001T	Freelander 2 Slimline II Full Length Rack	1255 x 1762mm

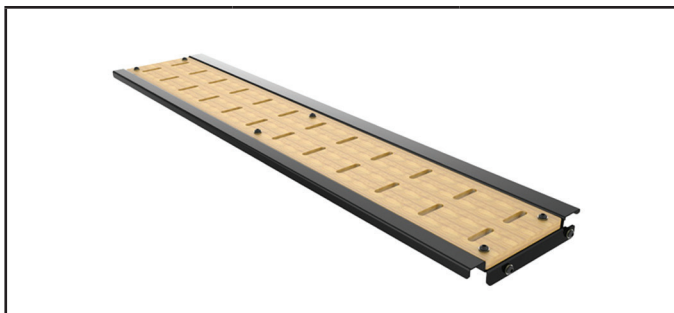
Part Number	Description	Dimensions
		
SSDR002	Discovery 3/4 Drawer System	990x980x300

		
RBLD007	Discovery 3/4 Swing Away Wheel Carrier	760x600x250mm
		
SSLD001	Drawer Slider Defender 90/110 →07MY	1170x1160x250mm
		
SSLD002	Drawer Slider Defender 90/110 Tdi/ Td5	1025x910x225mm

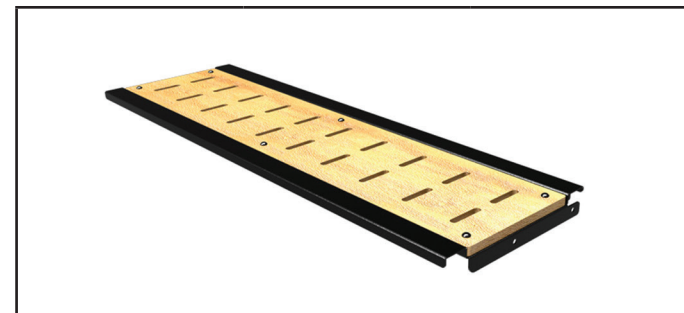
Defender Gull Wing Storage

The Front Runner Gull Wing door replaces the rear windows of a Defender. Easy access to your load area via the side of your vehicle. The Gull Wing door can be fitted together with the window box to create extra load possibilities. The Gull Wing door can be securely locked.

Front Runner offers a market leading product with the Gullwing Glass door, which allows you to see what is stored and adds a stylish finish to your vehicle's exterior. Plus the traditional Aluminium offering, for the overland utility and adventure market. There are storage units available with shelf options (up to 6 in each unit can be fitted.)



GWLD007	Gullwing (Tdi/Td5) Gullwing Shelf (single)	1030x300x55mm
---------	--	---------------



GWLD010	Gullwing PUMA (->07MY) Gullwing shelf (single)	1030x300x55mm
---------	--	---------------



GWLD008	Gullwing Inner Storage Box (Tdi/Td5)	1065x375x120mm
---------	---	----------------



GWLD011	Gullwing Inner Storage Box PUMA (->07MY)	1060x375x110mm
---------	--	----------------

Part Number	Description	Dimensions
GWLD006	Gullwing Glass Defender Door & Frame (single)	1180x535x105mm



GWLD009	Gullwing Mk2 Aluminium Defender Door & Frame (single)	1180x535x105mm
---------	---	----------------



Rack Accessories

Front Runner has a unique and vast range of accessories for your Land Rover and Slimline II Rack system, have a look below and mix and match your accessories to your needs!

Part Number	Description	Dimensions
RRAC019	Slimline II Expedition Rails (pair)	580x05x80mm
RRAC022	Slimline II Spot Light Brackets (pair)	115x90x60mm

RRAC024	Spade Bracket Ratchet Style	120x90x65mm
RRAC012	Tie Down Rings Female Black (pair)	90x40x20mm
RRAC025	Tie Down Rings Stainless Female (pair)	100x35x20mm

JADA010	Hi-Lift Jack Mounting Bracket	340x160x900mm
SWCLO01	Spare Wheel Clamp 100mm Low (rack mount)	530x120x85mm
JCH0004	Double Jerry Can Holder (rack mounted)	540x365x60mm



RRAC035	Bottle Opener Rack Mounted	265x180x90mm
---------	----------------------------	--------------



STRA034	Stretchits with carabiner (pair)	350x70x50mm
---------	----------------------------------	-------------



RRAC058	LED 10inch Light Bar including Bracket	
---------	--	--



RRAC002	Canoe / Kayak Holder (set of 4 holders)	280x175x90mm
---------	---	--------------



WTAN030	45L rack mounted water tank with strap	530x370x370mm
---------	--	---------------



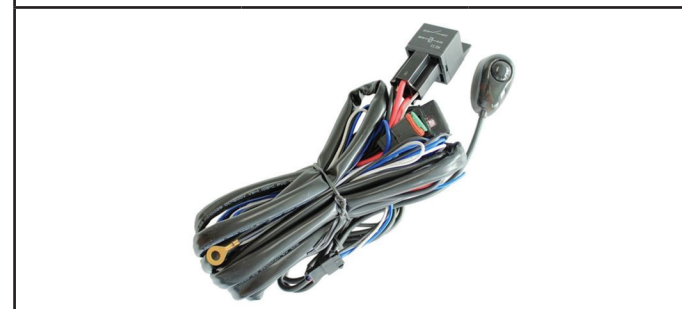
RRAC046	LED 40inch Light Bar including Bracket	90x265x180mm
---------	--	--------------



RRAC003	Snowboard / Ski / Fishing Rod Holder (pair)	580x110x80mm
---------	---	--------------



RRAC059	LED 4inch Spot Light including Bracket	90x280x180mm
---------	--	--------------




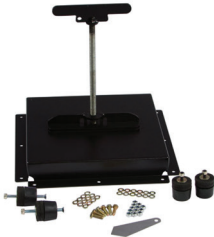

ECOM078	Double Wiring Harness LED	55x270x230mm
---------	---------------------------	--------------

Storage Accessories

Storage is key when space needs to be maximised for work, play or travel.

Front Runner pioneers the way with innovative storage solutions and here are just a few available from Bearmach.

Part Number	Description	Dimensions
		
SBOX008	Wolf Pack Box - Low Lid	510x400x240mm
		
RRAC010	Roof Rack Transit Bag (XL) fits 3 wolf boxes (not supplied)	1200x320x70mm

		
SBOX009	Collapsible Wolf Storage Box (can be used as a liner for SBOX008 or stand alone)	300x400x210mm
		
VACC003	Bonnet Space Wheel Carrier Defender Only pre 07MY	365x335x85mm
		
SAFE001	Defender under seat safe	455x285x115mm



Tents and Awnings

Front Runner has always offered the lightest and most versatile sleeping solutions, this range has been expanded into Awnings and their NEW Flip Tent. Bearmach has access to the entire range of products within this category, however some items will require special order. Speak to your Sales Administrator for more information.



AWN1004	Awning Featherlite. Easy packdown awning can be used on ANY vehicle. Also can be erected as stand alone to the vehicle.	3500x3000mm erected. 9.74kg
---------	---	--------------------------------

* Special Order – drop shipped directly by Front Runner

[f FrontRunnerOutfittersEurope](#) [t FrontRunnerEuro](#)



Part Number	Description	Dimensions
		
TENT031*	Roof Top Tent Featherlite and Ladder kit.	1300Wx2400Lmm Weight 40Kg
		
TENT045*	2 Person Ground Tent with instant set up, with fly sheet.	830x830x90mm Weight 3.26kg

